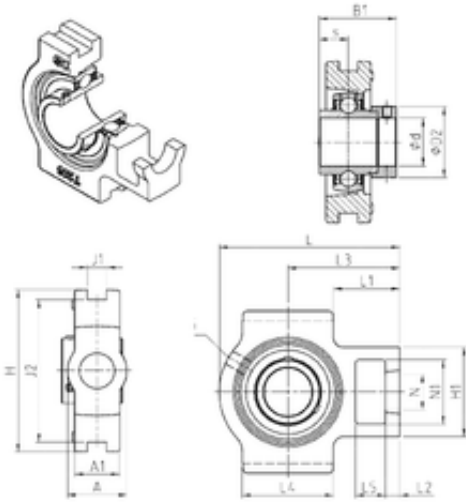




NTN BEARUNG DRIVESHAFT,INC.

SNR EXT312 bearing units

Bearing No. EXT312



EXT312 Bearing 2D drawings and 3D CAD models

Bore Diameter	60 mm
d	60 mm
L4	123 mm
L5	31 mm
L2	25 mm
L3	135 mm
s	31 mm
A	71 mm
A1	46 mm
B1	79,4 mm
D2	89 mm
H	178 mm
H1	113 mm
L	220 mm
L1	73,5 mm
N	41 mm
N1	71 mm
Thread (G)	M6x1
J1	22 mm
J2	160 mm
Weight	7,9 Kg
Basic dynamic load rating (C)	81,6 kN
A2	46 mm
B	61.9 mm
A5	30.9 mm
d1	89 mm



NTN BEARUNG DRIVESHAFT,INC.

G	M6x1
H2	113 mm
N2	71 mm
s1	54.85 mm
S	31 mm
SW	5 mm
C	81.6 kN
C0	51.8 kN
T min.	-20 ° C
T max.	100 ° C
Recommended tightening torque for set screw	22 Nm
Designation of housing	T312-
Designation of bearing	EX312G2