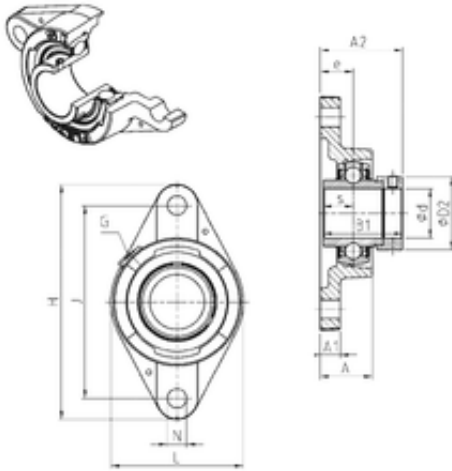




# NTN BEARUNG DRIVESHAFT, INC.

## SNR EXFLE210 bearing units

Bearing No. EXFLE210



EXFLE210 Bearing 2D drawings and 3D CAD models

Bore Diameter	50 mm
d	50 mm
e	28 mm
s	24,6 mm
A	41,6 mm
A1	13 mm
B1	62,7 mm
D2	69,9 mm
H	190 mm
J	157 mm
L	116 mm
N	18 mm
Thread (G)	R1/8"
A2	66,1 mm
Weight	2,3 Kg
Basic dynamic load rating (C)	35,1 kN