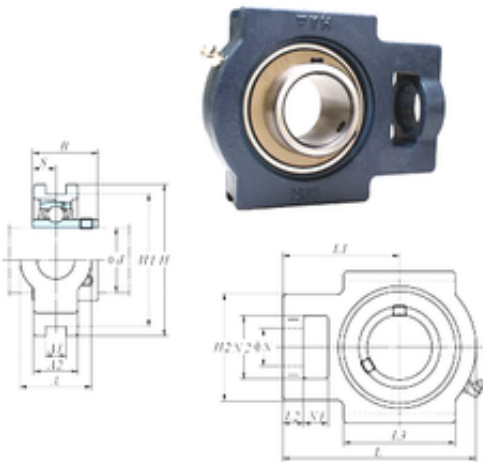




NTN BEARUNG DRIVESHAFT,INC.

FYH UCTX15-47 bearing units

Bearing No. UCTX15-47



UCTX15-47 Bearing 2D drawings and 3D CAD models

Bore Diameter	74,6125 mm
d	74,6125 mm
L2	21 mm
L3	121 mm
A	70 mm
A1	28 mm
B	82,6 mm
H	184 mm
H1	165 mm
H2	111 mm
L	235 mm
L1	140 mm
N	41 mm
N1	32 mm
S	33,3 mm
A2	48 mm
N2	70 mm
Weight	8,7 Kg
Basic dynamic load rating (C)	72,7 kN
Basic static load rating (C0)	53 kN