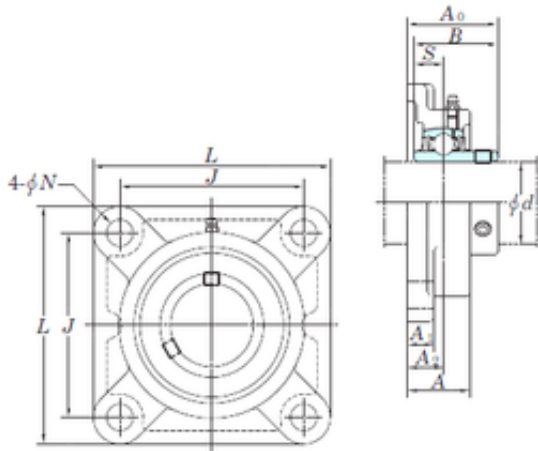




NTN BEARUNG DRIVESHAFT, INC.

KOYO UCF317 bearing units



Bearing No. UCF317

Bore Diameter	85 mm
d	85 mm
A0	100 mm
A	74 mm
A1	27 mm
B	96 mm
J	204 mm
L	260 mm
N	31 mm
S	40 mm
Bolt (G)	M27
A2	44 mm
Weight	15,3 Kg
Basic dynamic load rating (C)	133 kN
Basic static load rating (C0)	96,8 kN
Bearing No.	UCF317
Bolt size	M27
Cr	133
C0r	96.8
f0	13.3
(Refer.)Unit mass(kg)	15.3
Nipple size	R1/8

UCF317 Bearing 2D drawings and 3D CAD models