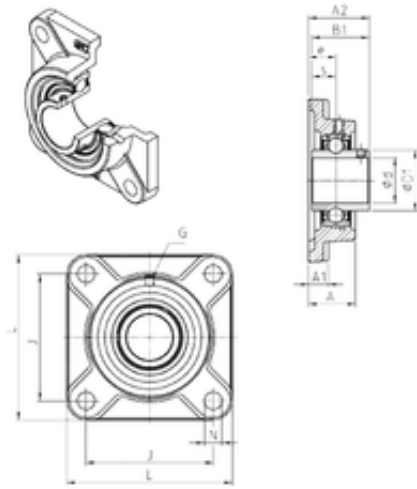




# NTN BEARUNG DRIVESHAFT,INC.



## SNR UCF320 bearing units

Bearing No. UCF320

Bore Diameter	100 mm
d	100 mm
e	59 mm
s	42 mm
A	94 mm
A1	32 mm
B1	108 mm
D1	134,5 mm
J	242 mm
L	310 mm
N	38 mm
Thread (G)	M10x1
A2	125 mm
Weight	25,8 Kg
Basic dynamic load rating (C)	171,6 kN

UCF320 Bearing 2D drawings and 3D CAD models