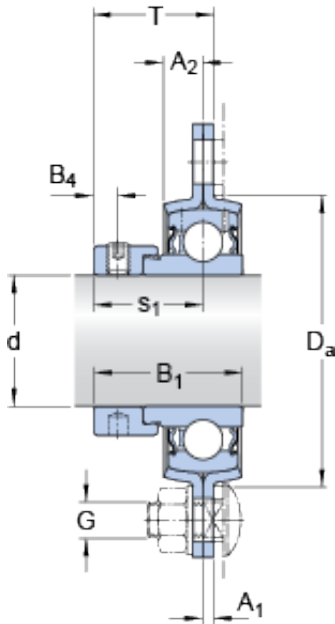




# NTN BEARUNG DRIVESHAFT,INC.



PFD 25 FM Bearing 2D drawings and 3D CAD models

## SKF PFD 25 FM bearing units

Bearing No. PFD 25 FM

Size	25x2x9 mm
Bore Diameter	25 mm
Outer Diameter	2 mm
Width	9 mm
d	25 mm
A <sub>1</sub>	2 mm
A <sub>2</sub>	9 mm
B	21.5 mm
B <sub>4</sub>	4.75 mm
D <sub>a</sub> - min.	56 mm
J	76.2 mm
H	95 mm
H <sub>1</sub>	34 mm
H	8.7 mm
s <sub>1</sub>	23.5 mm
T	25.5 mm
Basic dynamic load rating - C	14 kN
Basic static load rating - C <sub>0</sub>	7.8 kN
Fatigue load limit - P <sub>u</sub>	0.335 kN
Permissible radial housing load	max. 3.6 kN
Weight	0.3 kg
Thread - G <sub>2</sub>	M6x0.75
Hexagonal key size for grub screw - H	3 mm



## NTN BEARUNG DRIVESHAFT, INC.

Housing material	Pressed steel
A <sub>1</sub>	2 mm
A <sub>2</sub>	9 mm
B <sub>4</sub>	4.75 mm
D <sub>a</sub> min.	56 mm
H <sub>1</sub>	34 mm
N	8.7 mm
s <sub>1</sub>	23.5 mm
Basic dynamic load rating C	14 kN
Basic static load rating C <sub>0</sub>	7.8 kN
Fatigue load limit P <sub>u</sub>	0.335 kN
Permissible radial housing load max.	3.6 kN
Mass unit	0.3 kg
Thread grub screw G <sub>2</sub>	M6x0.75
Hexagonal key size for grub screw N	3 mm
Recommended tightening torque for grub screw	4 N · m
Recommended diameter for attachment bolts, mm G	8 mm
Recommended diameter for attachment bolts, inch G	0.3125 in