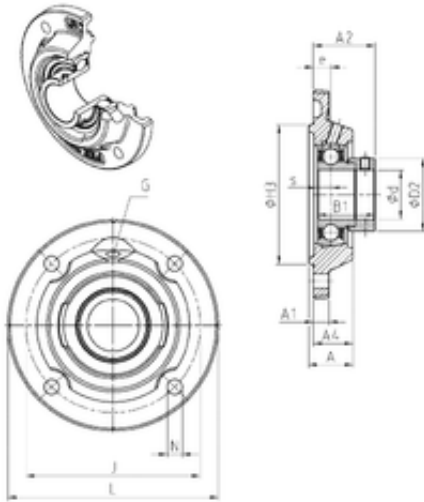




# NTN BEARUNG DRIVESHAFT, INC.



## SNR ESFEE205 bearing units

Bearing No. ESFEE205

Bore Diameter	25 mm
d	25 mm
H3	75 mm
A4	20,5 mm
e	9,5 mm
s	7,5 mm
A	23,5 mm
A1	9 mm
B1	30,9 mm
D2	38,1 mm
J	92 mm
L	115 mm
N	9 mm
Thread (G)	R1/8"
A2	32,9 mm
Weight	0,8 Kg
Basic dynamic load rating (C)	14 kN

ESFEE205 Bearing 2D drawings and 3D CAD models