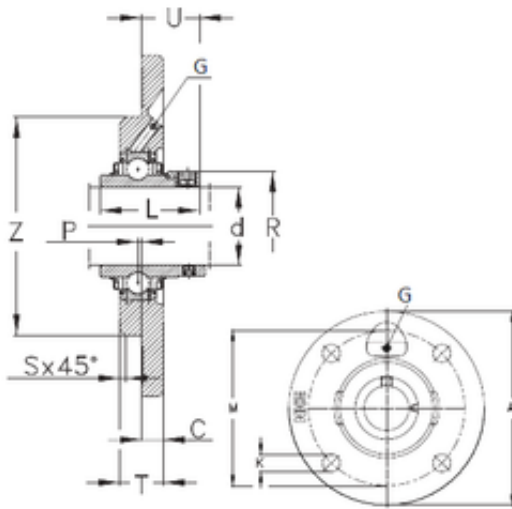




NTN BEARUNG DRIVESHAFT,INC.



NKE RME35-N bearing units

Bearing No. RME35-N

Bore Diameter	35 mm
d	35 mm
P	1 mm
U	31,3 mm
K	11,5 mm
Z	90 mm
A	135 mm
C	10 mm
L	51,1 mm
M	110 mm
R	51 mm
S	2 mm
T	20,5 mm
Thread (G)	M6

RME35-N Bearing 2D drawings and 3D CAD models