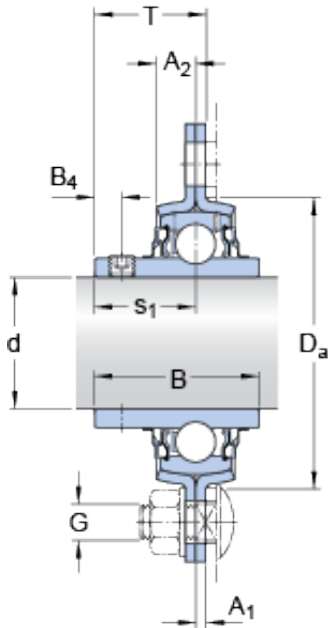




NTN BEARUNG DRIVESHAFT, INC.



PF 35 TR Bearing 2D drawings and 3D CAD models

SKF PF 35 TR bearing units

Bearing No. PF 35 TR

Size	35x2.5x10 mm
Bore Diameter	35 mm
Outer Diameter	2,5 mm
Width	10 mm
d	35 mm
A ₁	2.5 mm
A ₂	10 mm
B	42.9 mm
B ₄	6 mm
D _a - min.	77 mm
J	100 mm
H	122 mm
H	11 mm
s ₁	25.4 mm
T	27.9 mm
Basic dynamic load rating - C	25.5 kN
Basic static load rating - C ₀	15.3 kN
Fatigue load limit - P _u	0.655 kN
Permissible radial housing load	max. 6.5 kN
Weight	0.75 kg
Thread - G ₂	M6x0.75
Hexagonal key size for grub screw - H	3 mm
Housing material	Pressed steel



NTN BEARUNG DRIVESHAFT, INC.

A ₁	2.5 mm
A ₂	10 mm
B ₄	6 mm
D _a min.	77 mm
N	11 mm
s ₁	25.4 mm
Basic dynamic load rating C	25.5 kN
Basic static load rating C ₀	15.3 kN
Fatigue load limit P _u	0.655 kN
Permissible radial housing load max.	6.5 kN
Mass unit	0.75 kg
Thread grub screw G ₂	M6x0.75
Hexagonal key size for grub screw N	3 mm
Recommended tightening torque for grub screw	4 N · m
Recommended diameter for attachment bolts, mm G	10 mm
Recommended diameter for attachment bolts, inch G	0.375 in