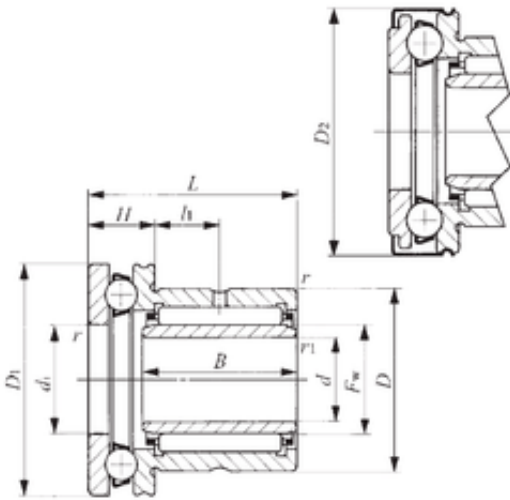




NTN BEARUNG DRIVESHAFT, INC.

50 mm x 72 mm x 25,5 mm IKO NAXI 5040Z
complex bearings

Bearing No. NAXI 5040Z



NAXI 5040Z Bearing 2D drawings and 3D CAD models

Bore Diameter	50 mm
Outer Diameter	72 mm
d	50 mm
Fw	60 mm
D	72 mm
D1	85 mm
D2	86,5 mm
B	25,5 mm
d1	60 mm
r min.	1 mm
r1 min.	1 mm
H	17 mm
L	40 mm
L1	12 mm
da min.	75 mm
db	59 mm
Weight	0,619 Kg
Dynamic load rating radial (C)	47,5 kN
Dynamic load rating axial (C)	41,4 kN
Static load rating radial (C0)	103 kN
Static load rating axial (C0)	89,7 kN
Category	Bearings
Inventory	0.0
Manufacturer Name	IKO



NTN BEARUNG DRIVESHAFT,INC.

Minimum Buy Quantity	N/A
Weight / Kilogram	0
Product Group	B04144