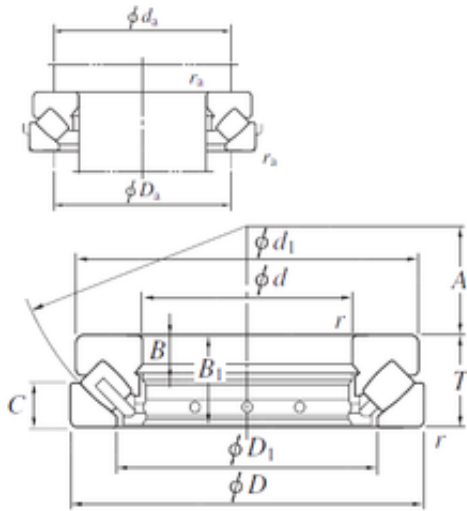




NTN BEARUNG DRIVESHAFT, INC.



240 mm x 340 mm x 19 mm KOYO 29248
thrust roller bearings

Bearing No. 29248

29248 Bearing 2D drawings and 3D CAD models

Size	240x340x60 mm
Bore Diameter	240 mm
Outer Diameter	340 mm
Width	60 mm
d	240 mm
D	340 mm
T	60 mm
d1	330 mm
r min.	21 mm
A	130 mm
B	19 mm
B1	57 mm
C	30 mm
D1	283 mm
da min.	285 mm
Da max.	305 mm
ra max.	2 mm
Weight	167 Kg
Basic dynamic load rating (C)	822 kN
Bearing No.	29248
r(min)	2.1
Ca	1030
Coa	3670
Oil lub.	1250
da(min)	285



NTN BEARUNG DRIVESHAFT,INC.

Da(max)	305
ra(max)	2
(Refer.)Mass(kg)	16.7