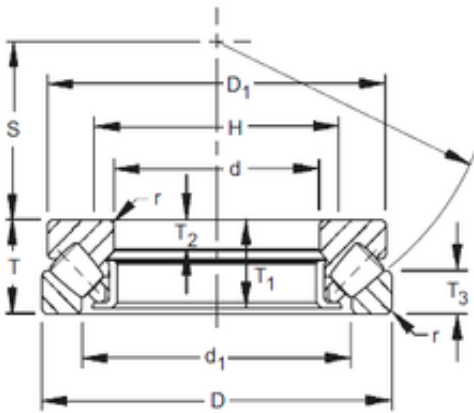




# NTN BEARUNG DRIVESHAFT,INC.

## 190 mm x 380 mm x 41 mm Timken 29438EJ thrust roller bearings

Bearing No. 29438EJ



29438EJ Bearing 2D drawings and 3D CAD models

Size	190x380x115 mm
Bore Diameter	190 mm
Outer Diameter	380 mm
Width	115 mm
d	190 mm
D	380 mm
T	115 mm
B	41 mm
C	55 mm
r max	4 mm
T1	111 mm
d1	271 mm
D1	360 mm
H	275 mm
S	117 mm