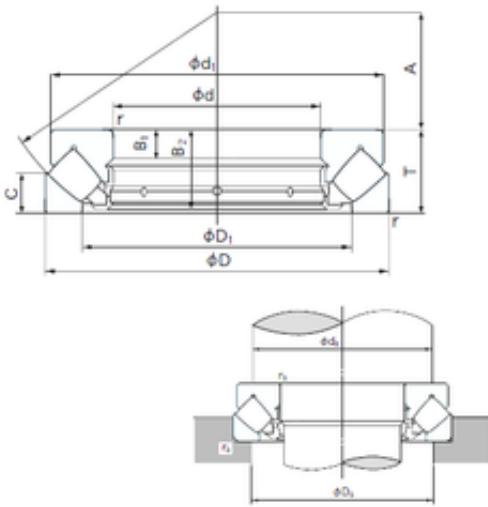




# NTN BEARUNG DRIVESHAFT, INC.

## 190 mm x 270 mm x 15 mm NACHI 29238E thrust roller bearings

Bearing No. 29238E



29238E Bearing 2D drawings and 3D CAD models

Size	190x270x48 mm
Bore Diameter	190 mm
Outer Diameter	270 mm
Width	48 mm
d	190 mm
D	270 mm
T	48 mm
d1	262 mm
r min.	2 mm
A	104 mm
B1	15 mm
B2	45 mm
C	24 mm
D1	223 mm
da min.	225 mm
Da max.	245 mm
ra max.	2 mm
Weight	8.50 Kg
Basic dynamic load rating (C)	540 kN
Basic static load rating (C0)	2300 kN
Bore Type	Cylindrical Bore
Enclosure	Open
Configuration	Single Row
Bore Size	190 mm
Outside Diameter	270 mm



## NTN BEARUNG DRIVESHAFT,INC.

Fillet Radius/Chamfer	2 mm
Width	48 mm
Dynamic Load Rating	540,000 N
Static Load Rating	2,300,000 N
Limiting Speed - Oil	1,800 rpm
B	15 mm
da (min)	225 mm
Da (max)	245 mm
ra (max)	2 mm